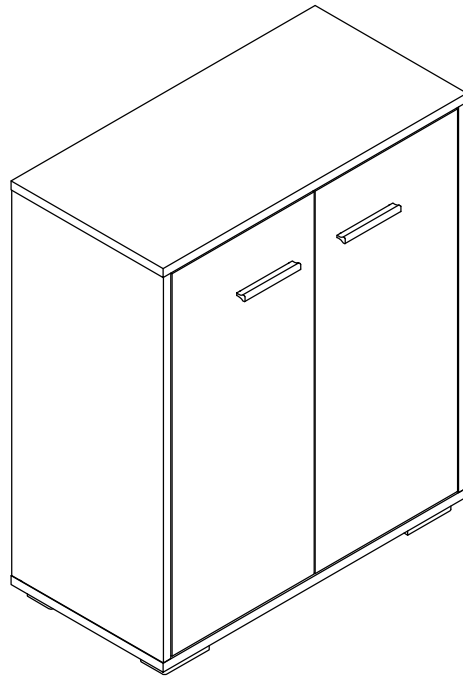
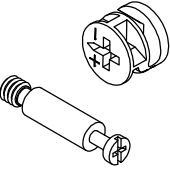

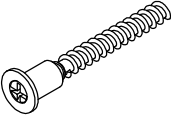
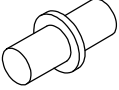
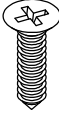
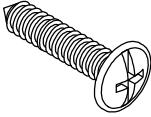
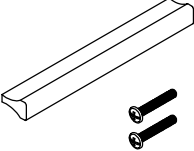



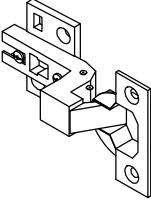
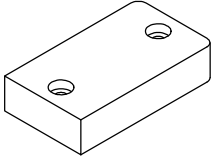
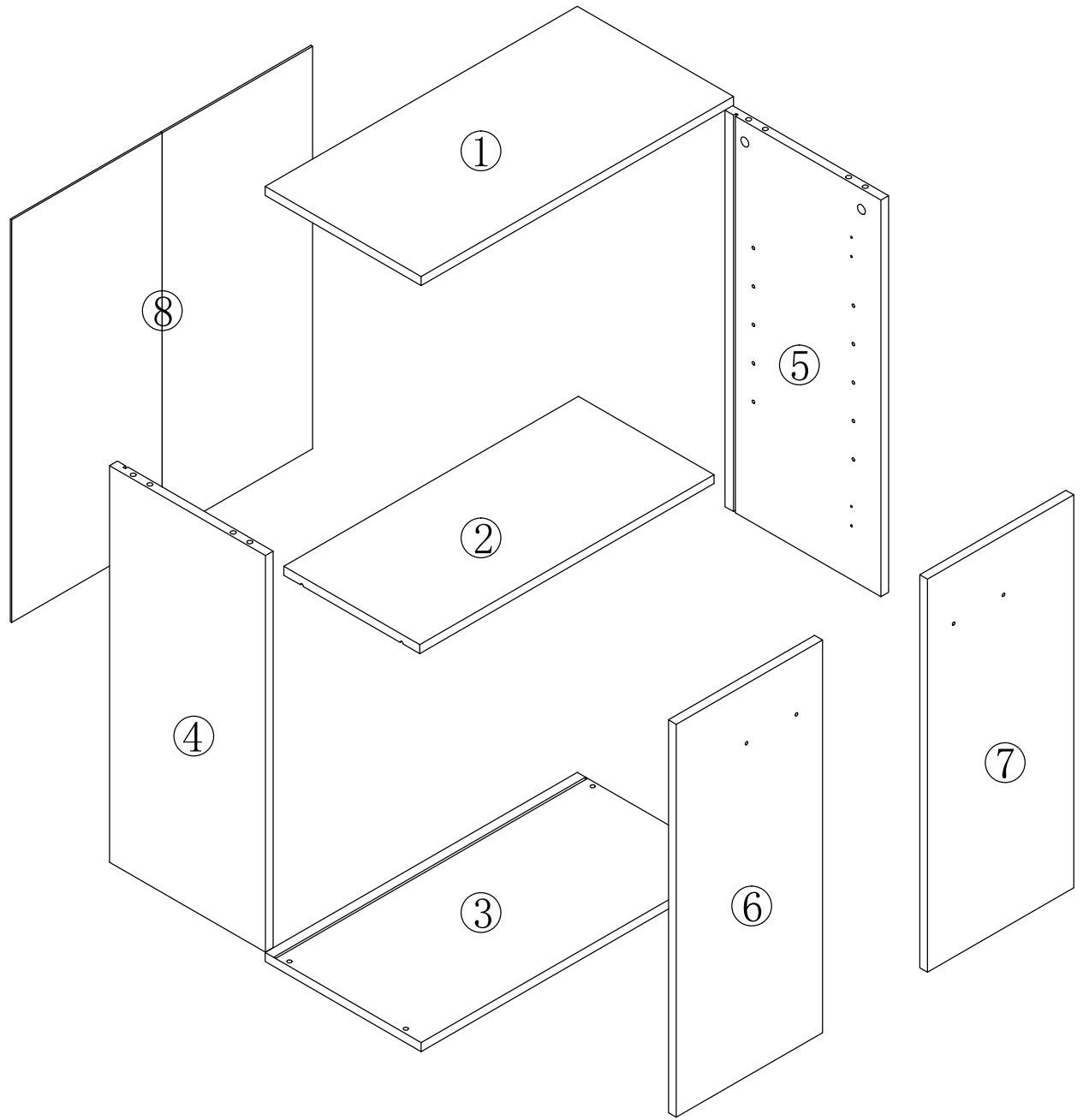




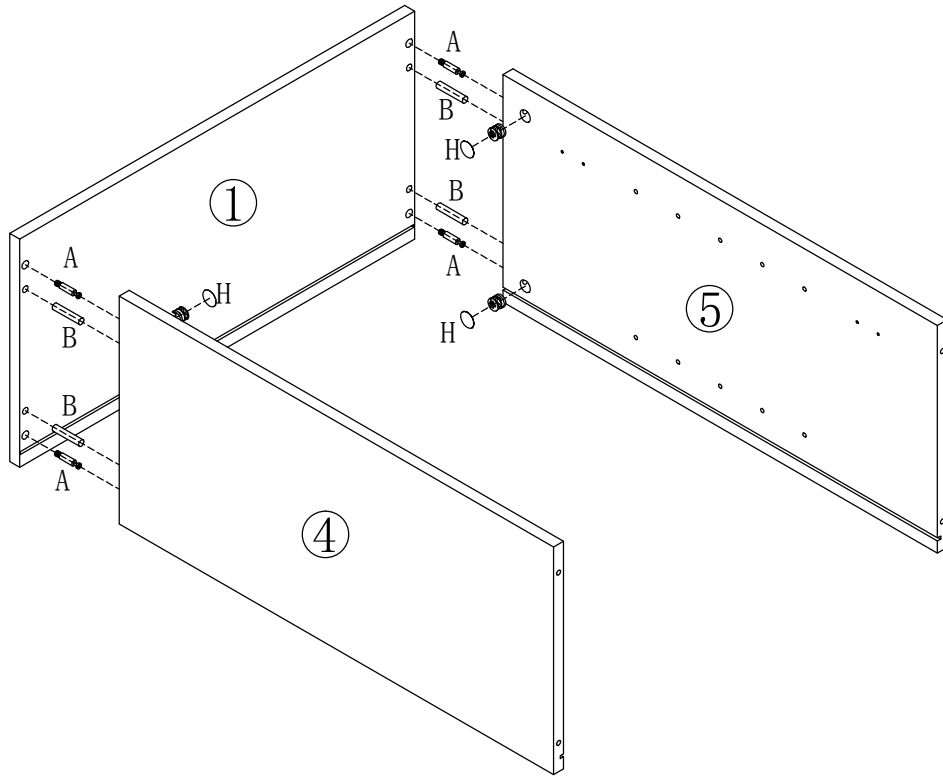
APAO590



	 ø8*40	 M7*50	
A × 4	B × 4	C × 4	D × 4
 M3.5*14	 M4*25	 M4*18	 ø20
E × 32	F × 8	G × 2	H × 4
			
I × 2	J × 8	K × 4	L × 4

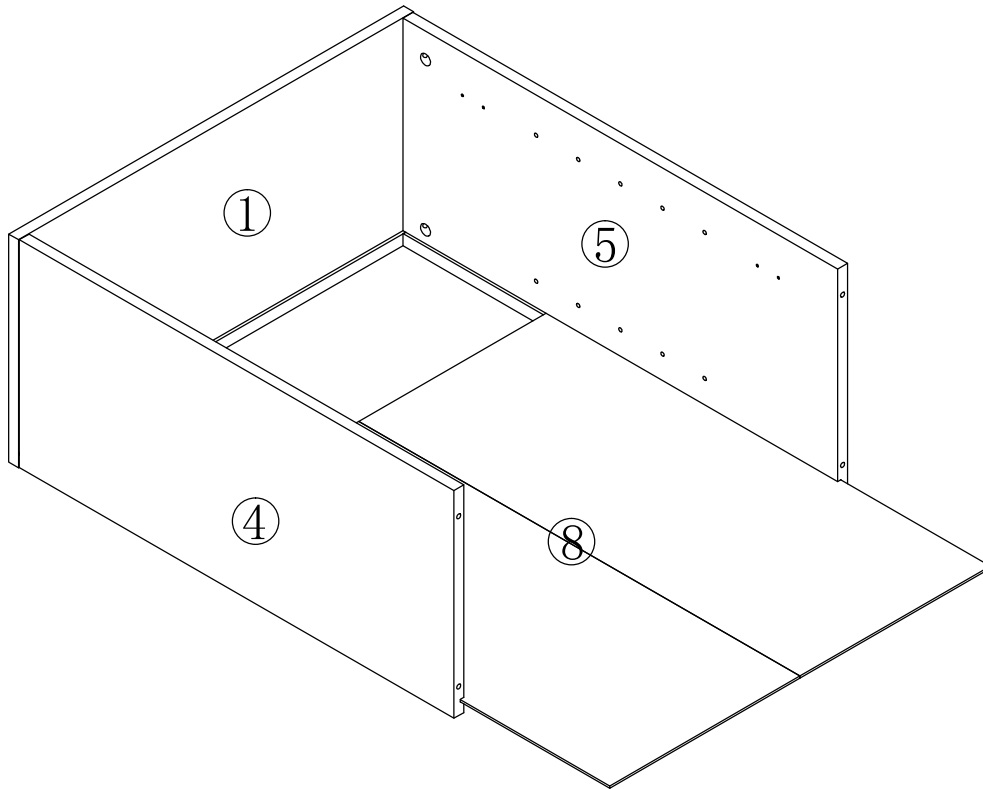


1

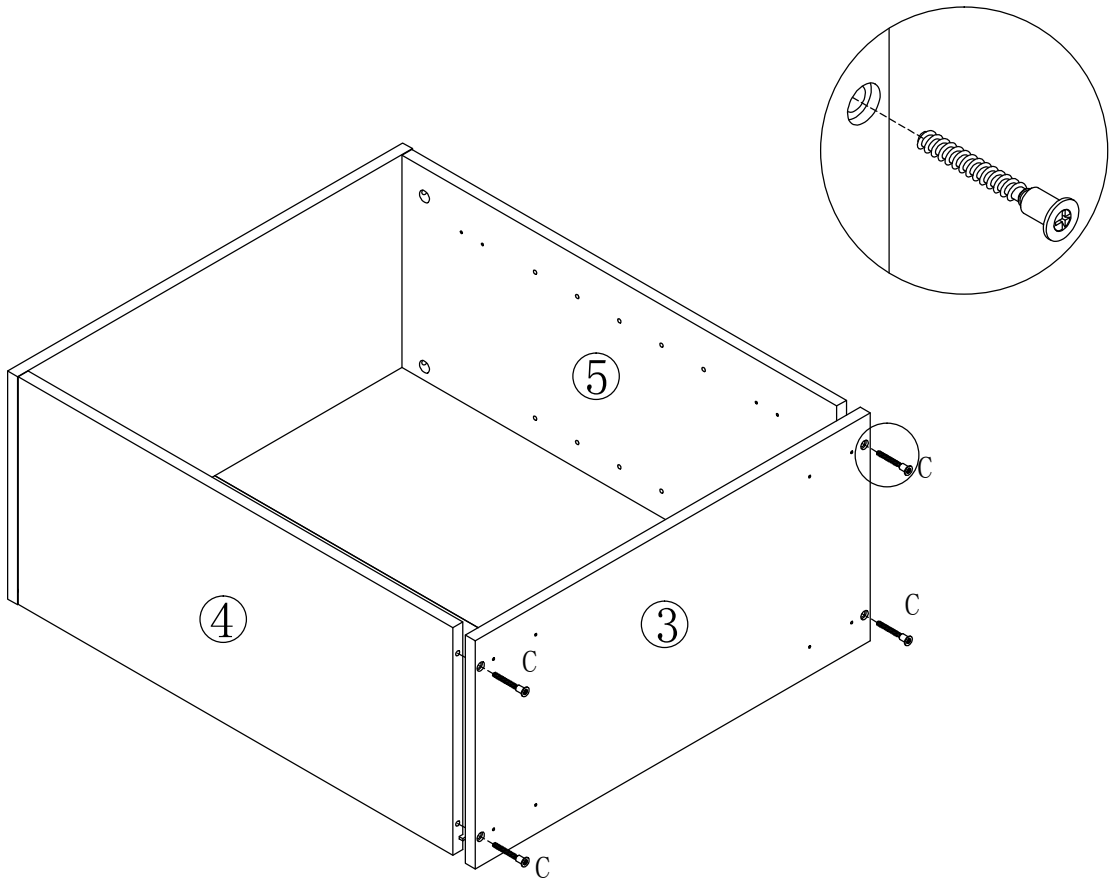


$A \times 4$ $B \times 4$ $H \times 4$

2

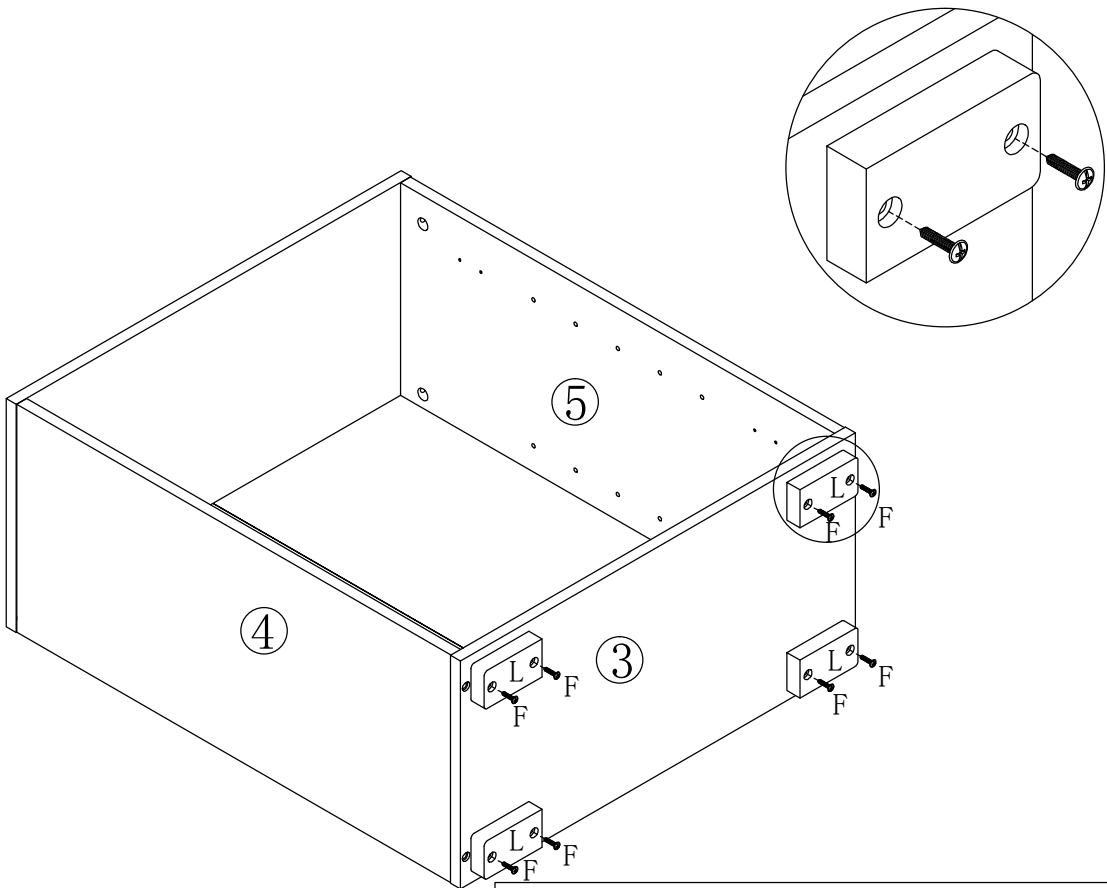


3



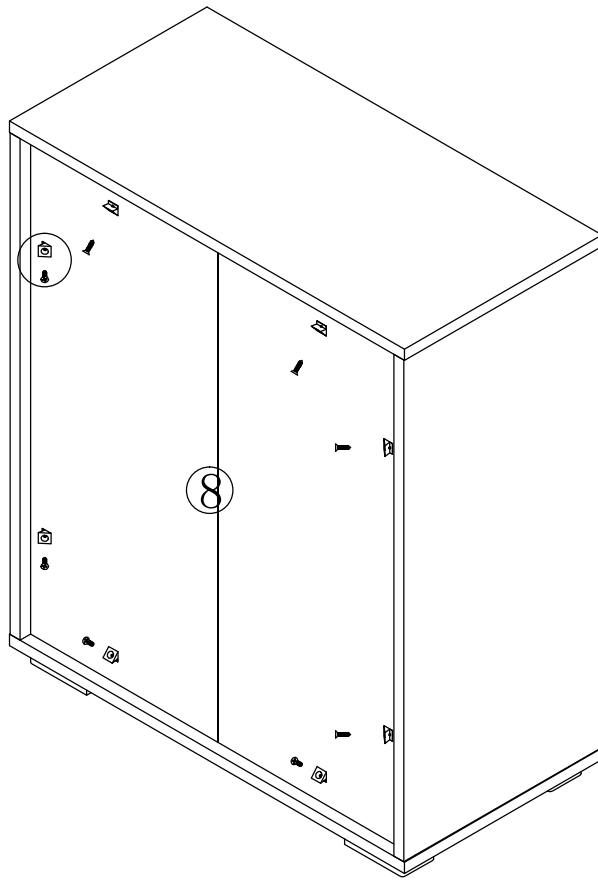
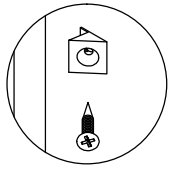
C × 4

4



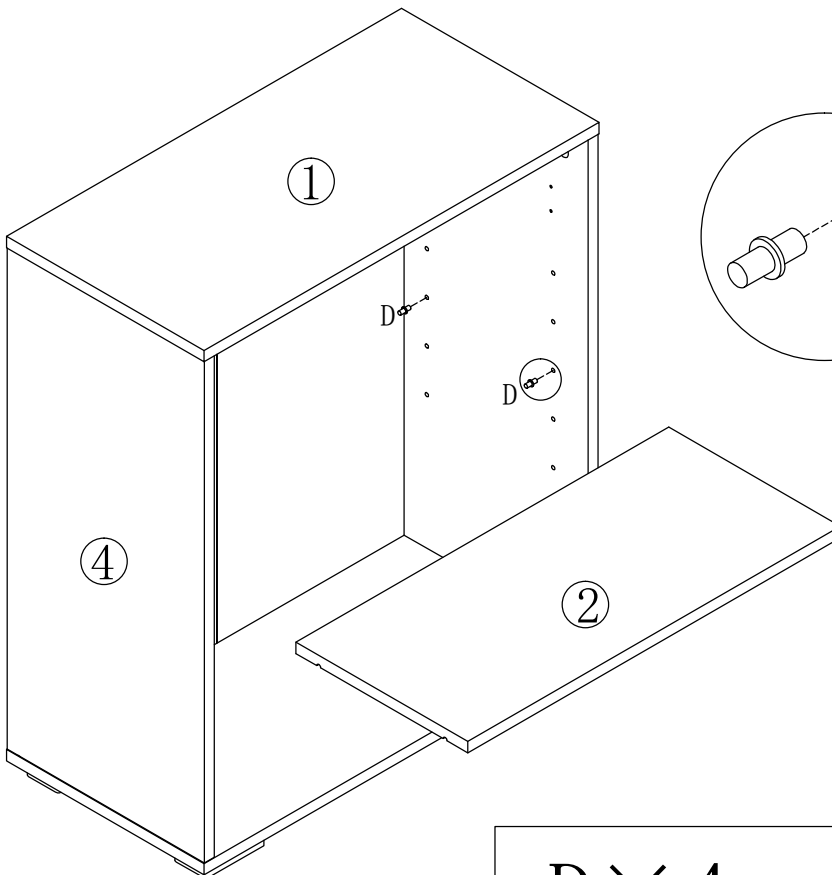
F × 8 L × 4

5



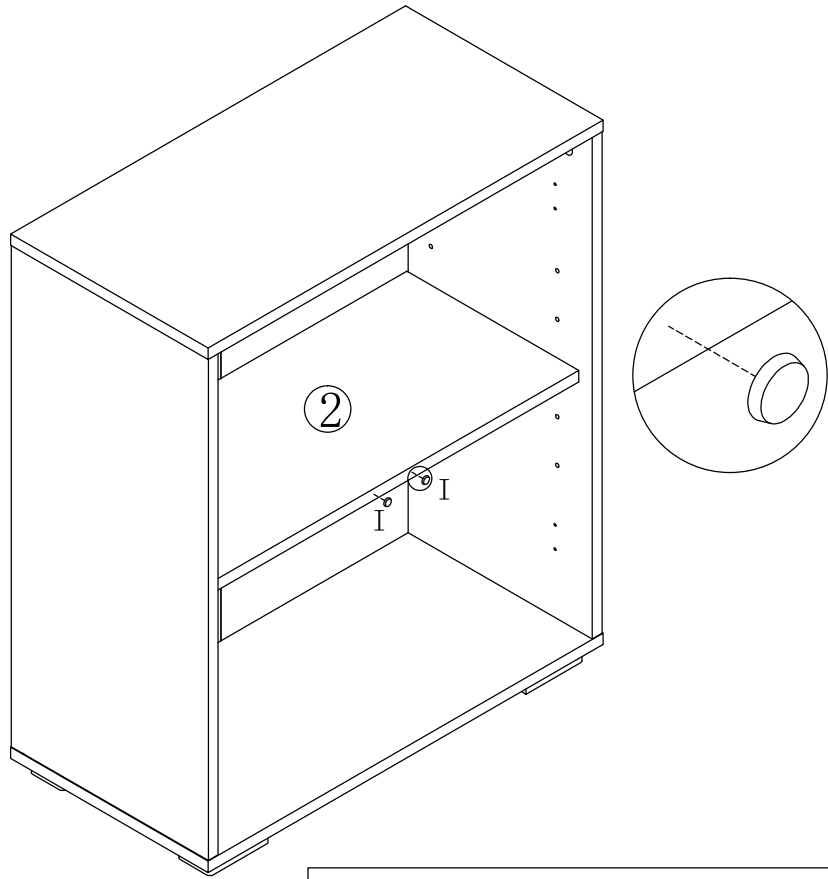
$E \times 8 \quad J \times 8$

6



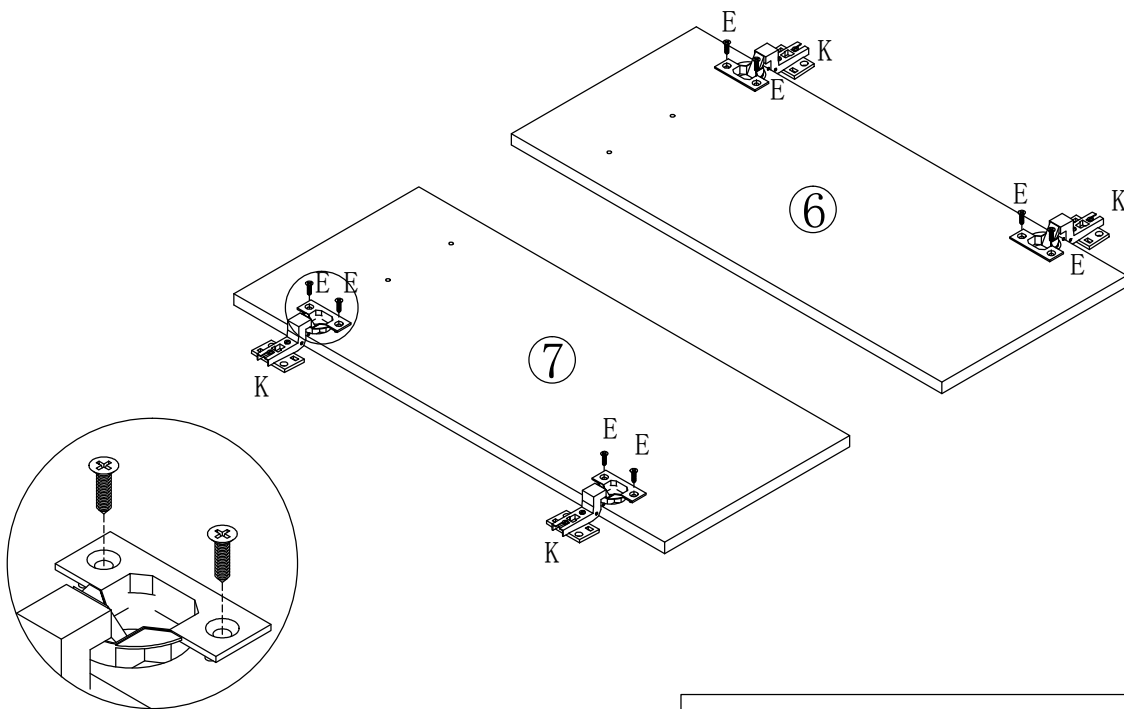
$D \times 4$

7



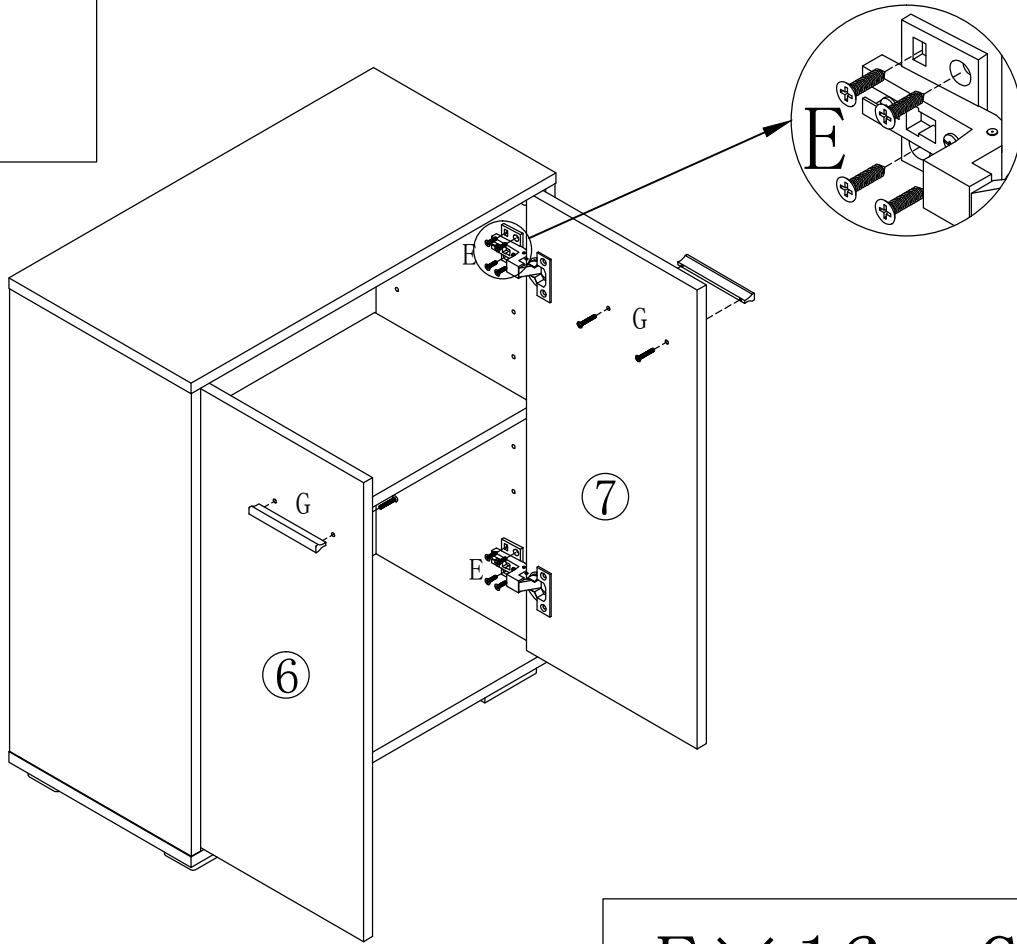
I × 2

8



E × 8 K × 4

9



E × 16 G × 2

10

