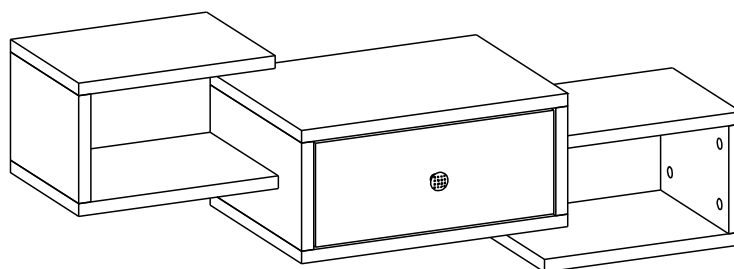
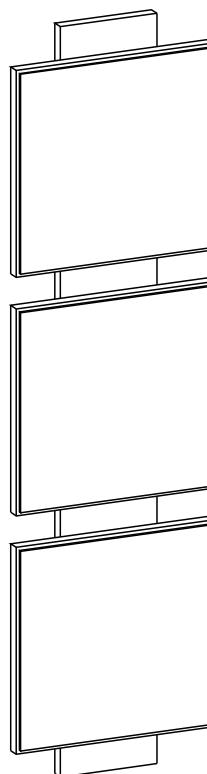
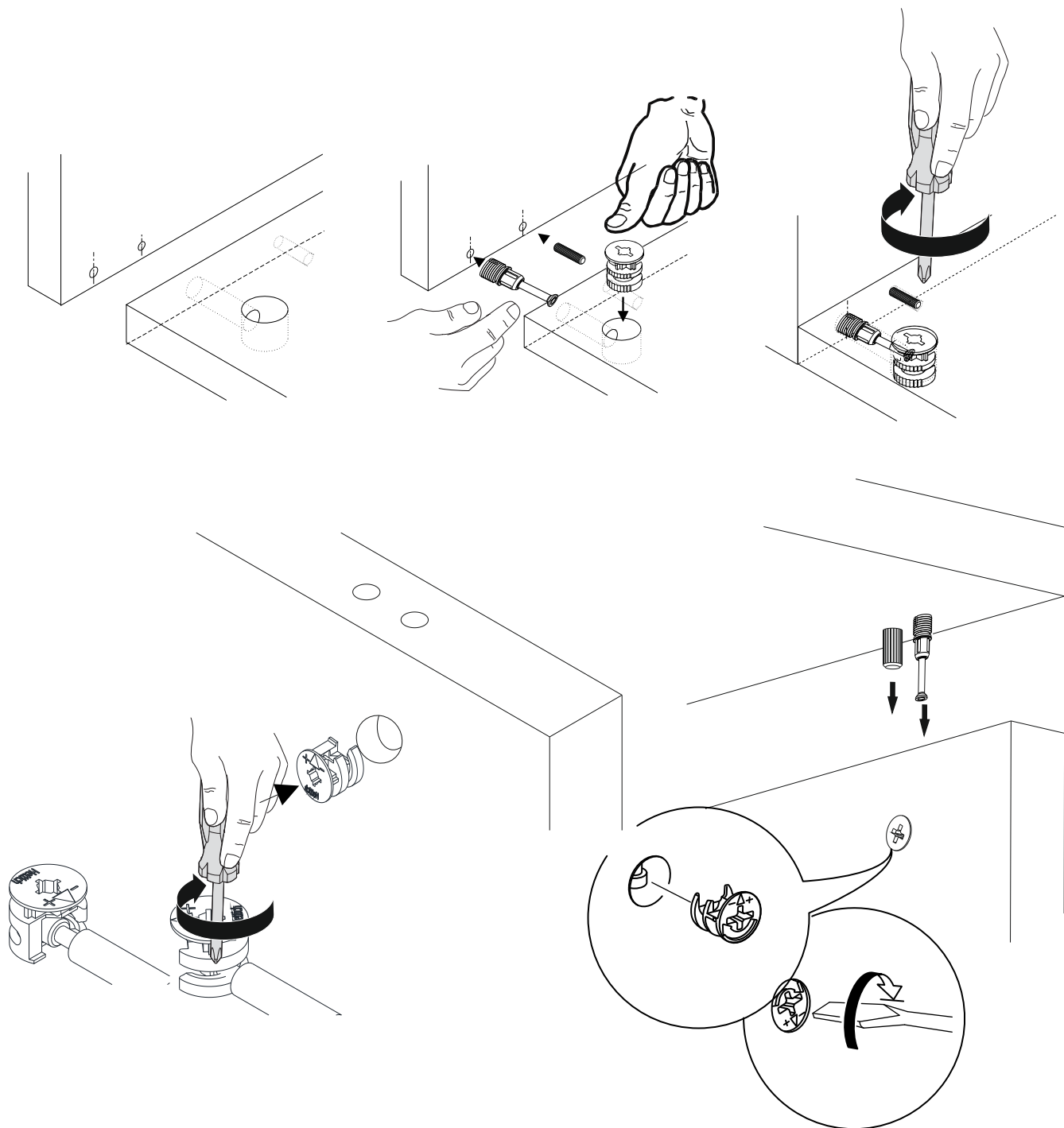
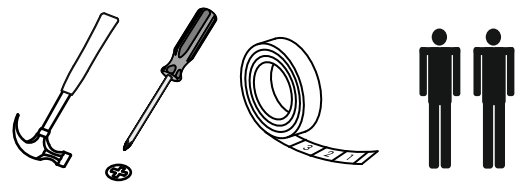


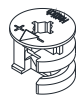
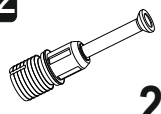



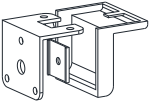


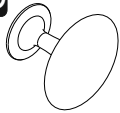
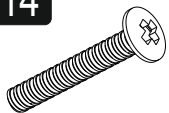

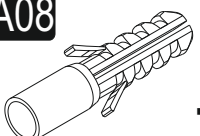
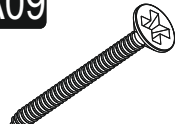

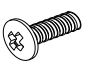
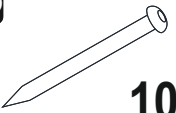


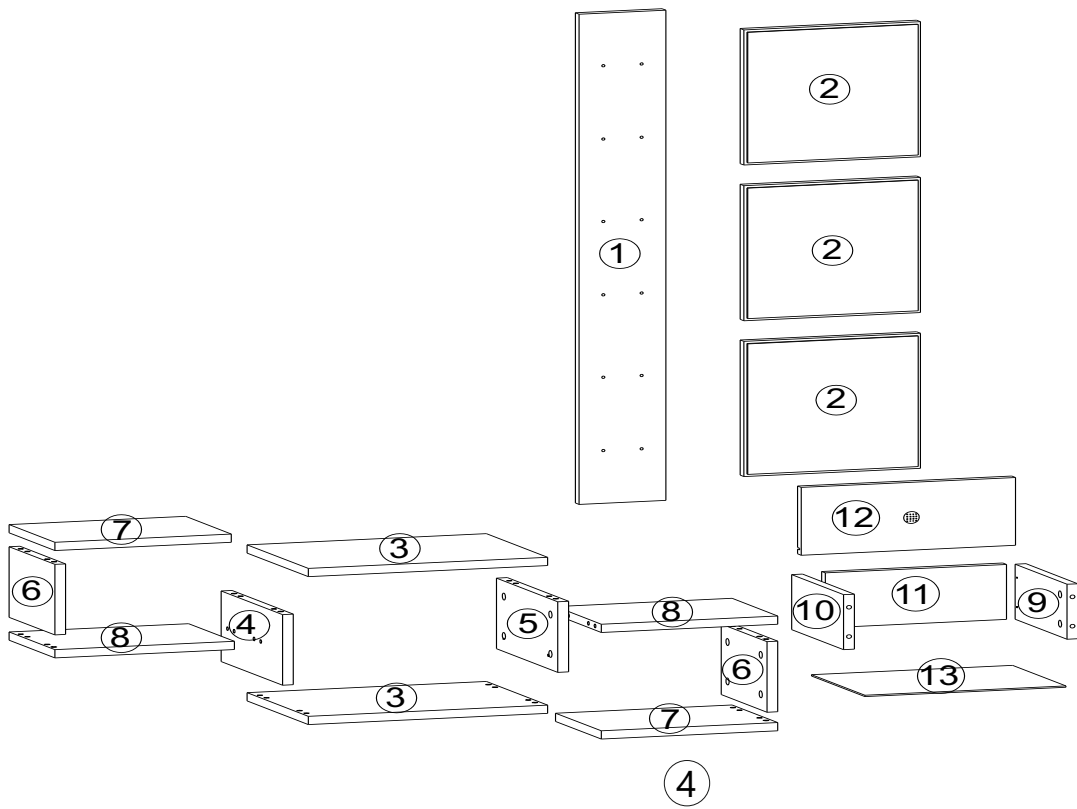
REDF303



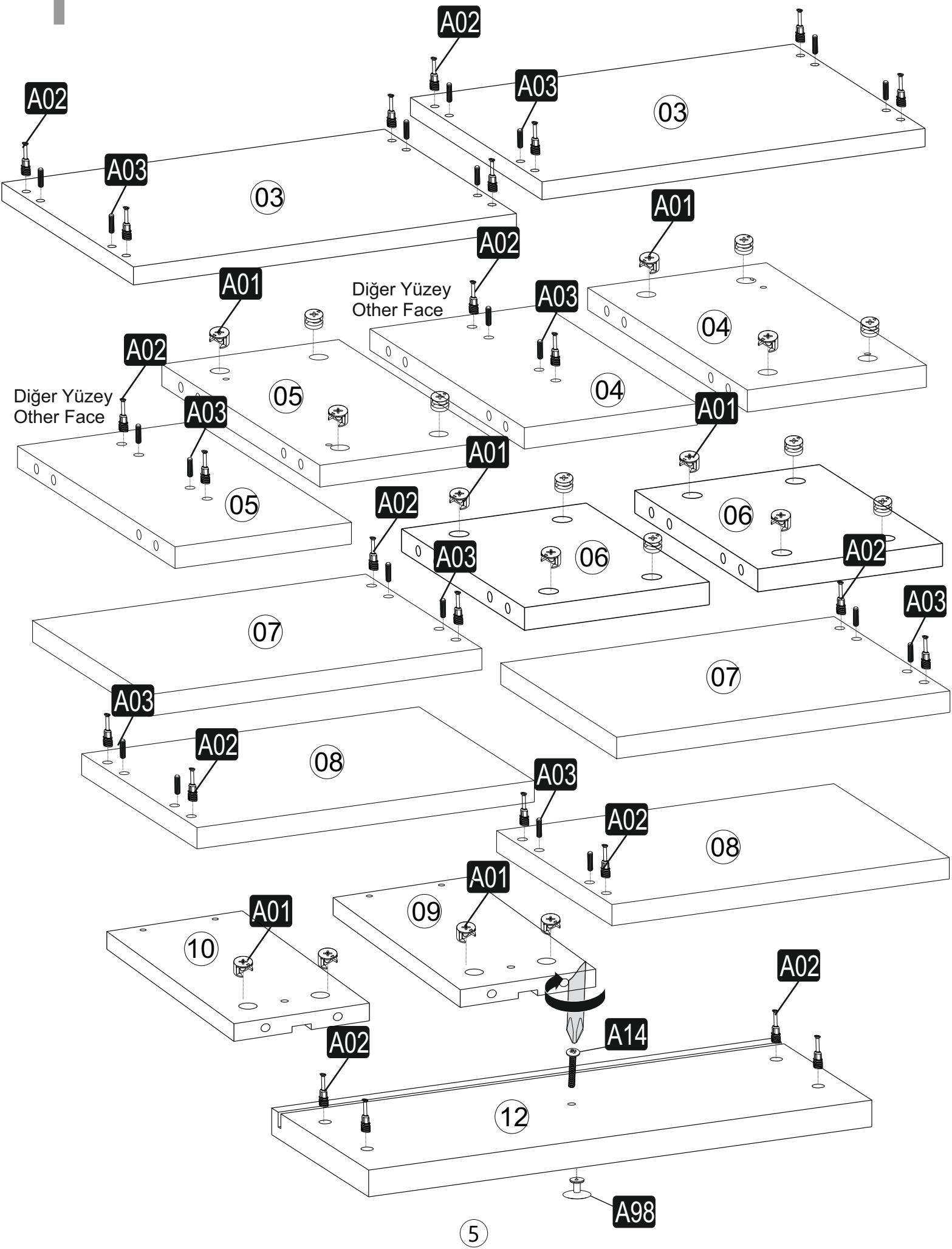




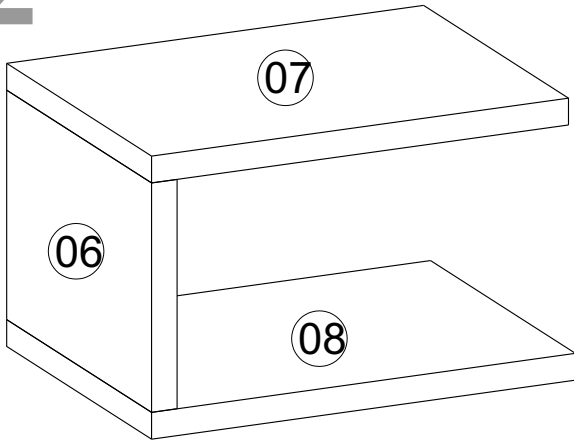
A01  24x	A02  24x	A03  20x	A29  12x	A04  A 24x
A41  5x	D53  1x	A10  14x	A98  1x	A14  1x
B23  2x	A08  7x	A09  11x	A16  A 4x	D09  2x
A28  10x				



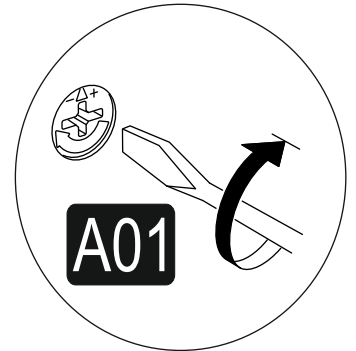
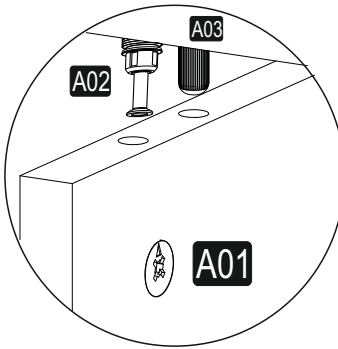
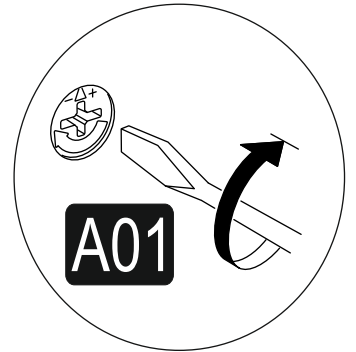
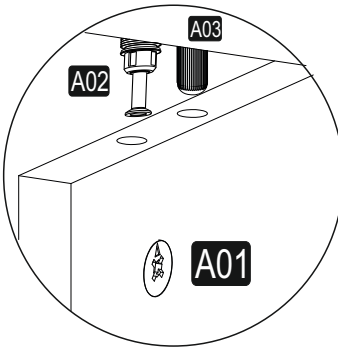
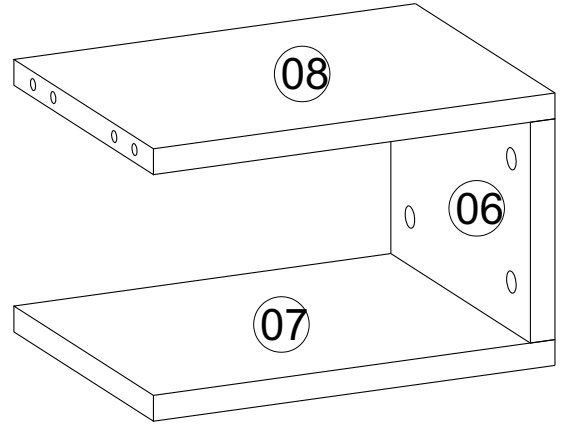
1



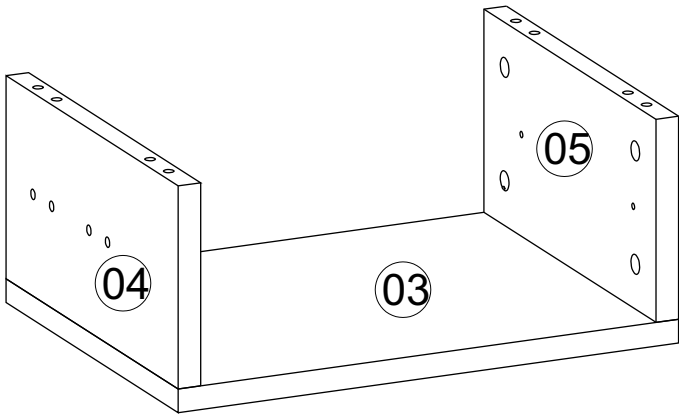
2



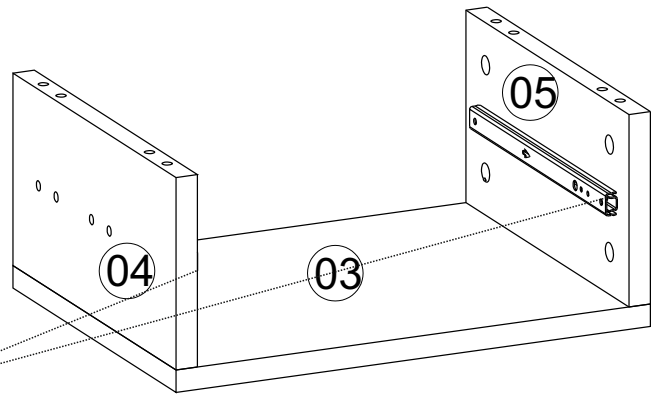
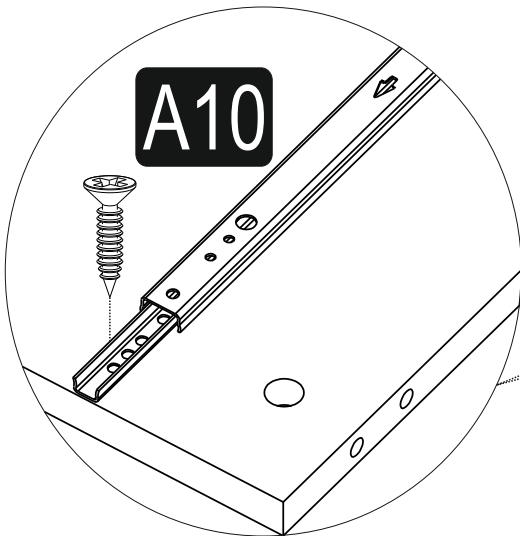
3



4

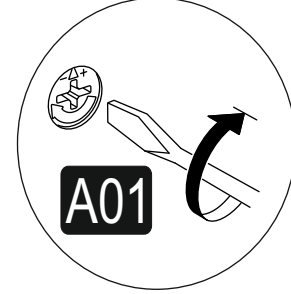
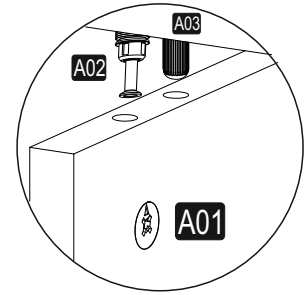
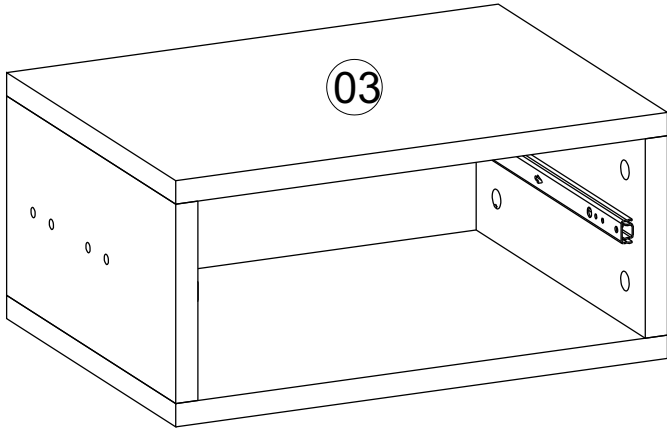


5

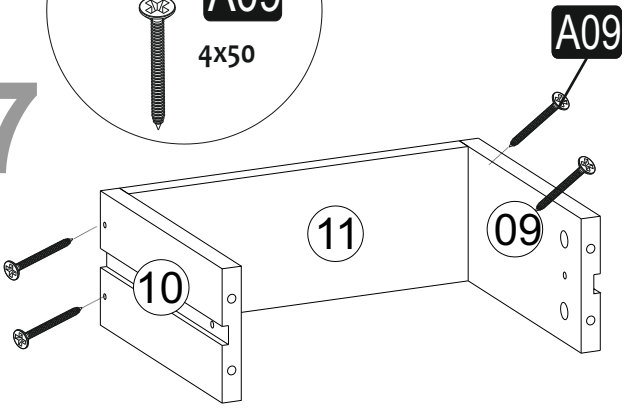
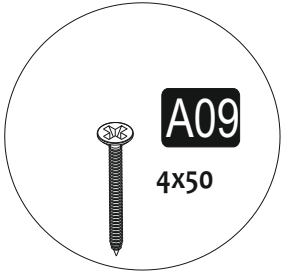


6

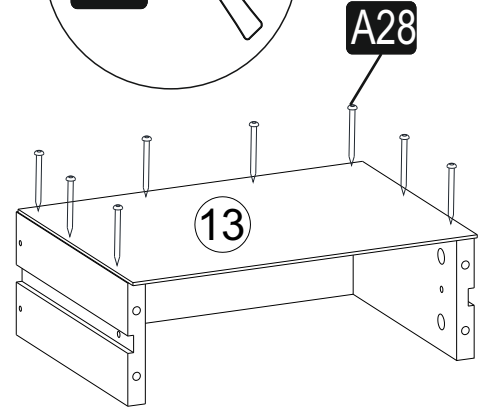
6



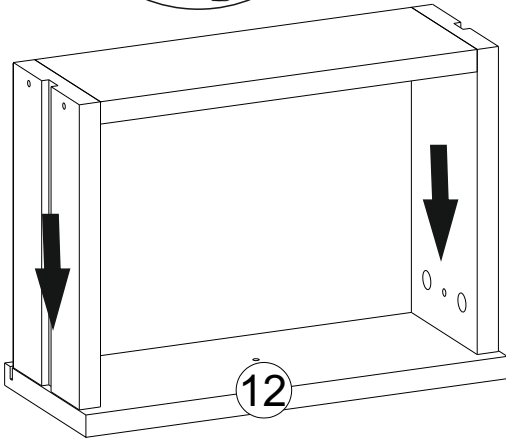
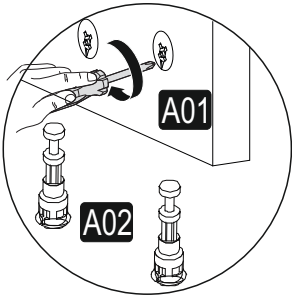
7



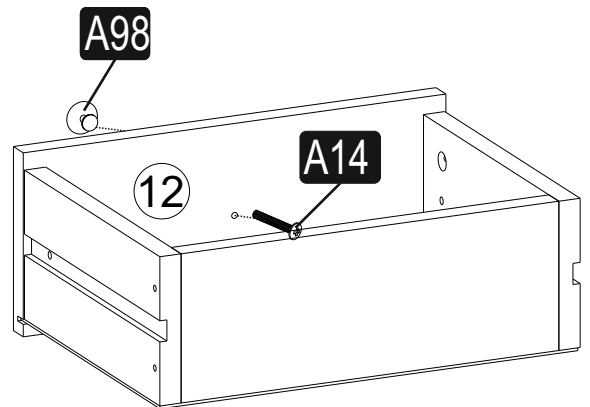
8



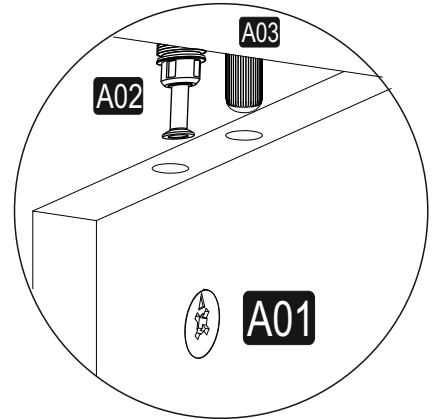
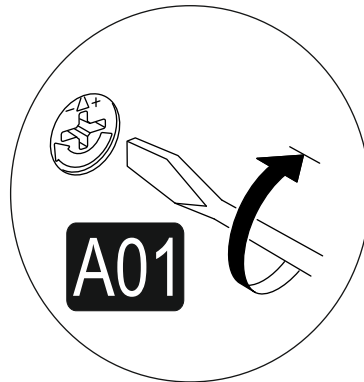
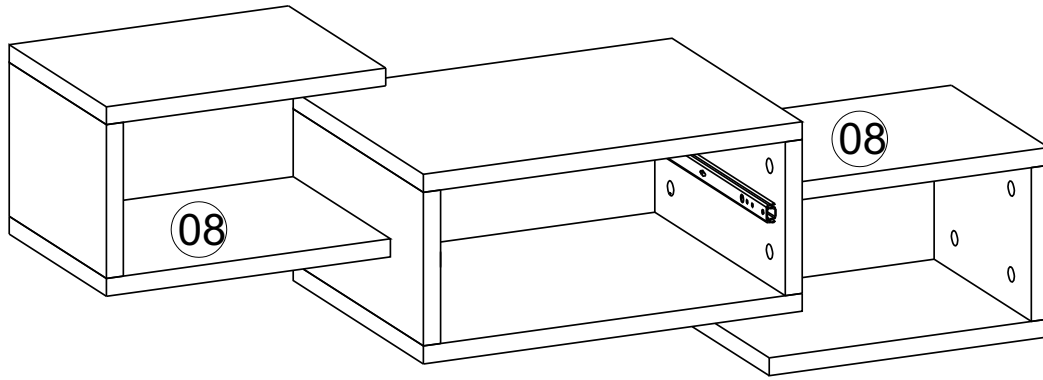
9



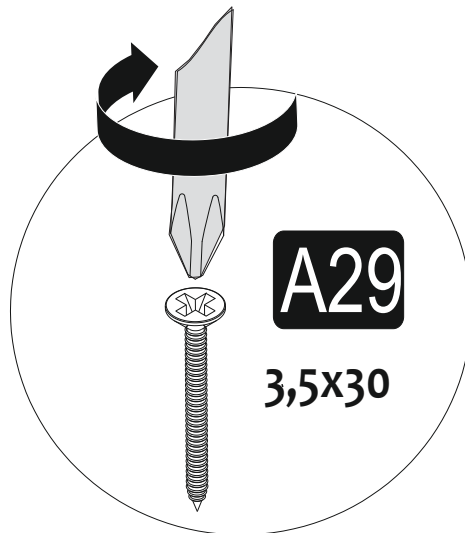
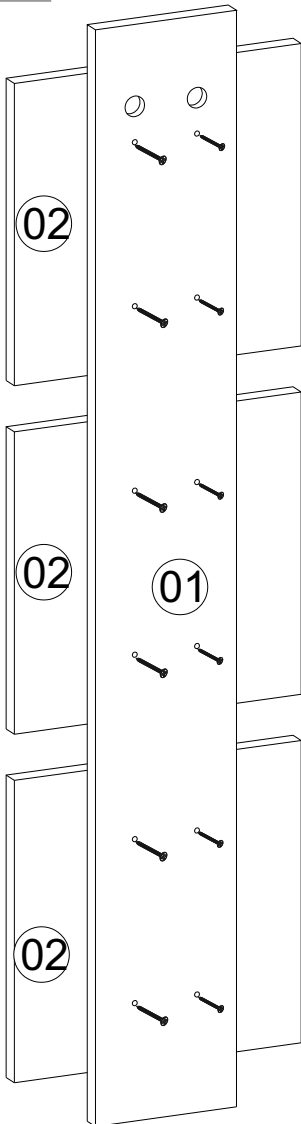
10



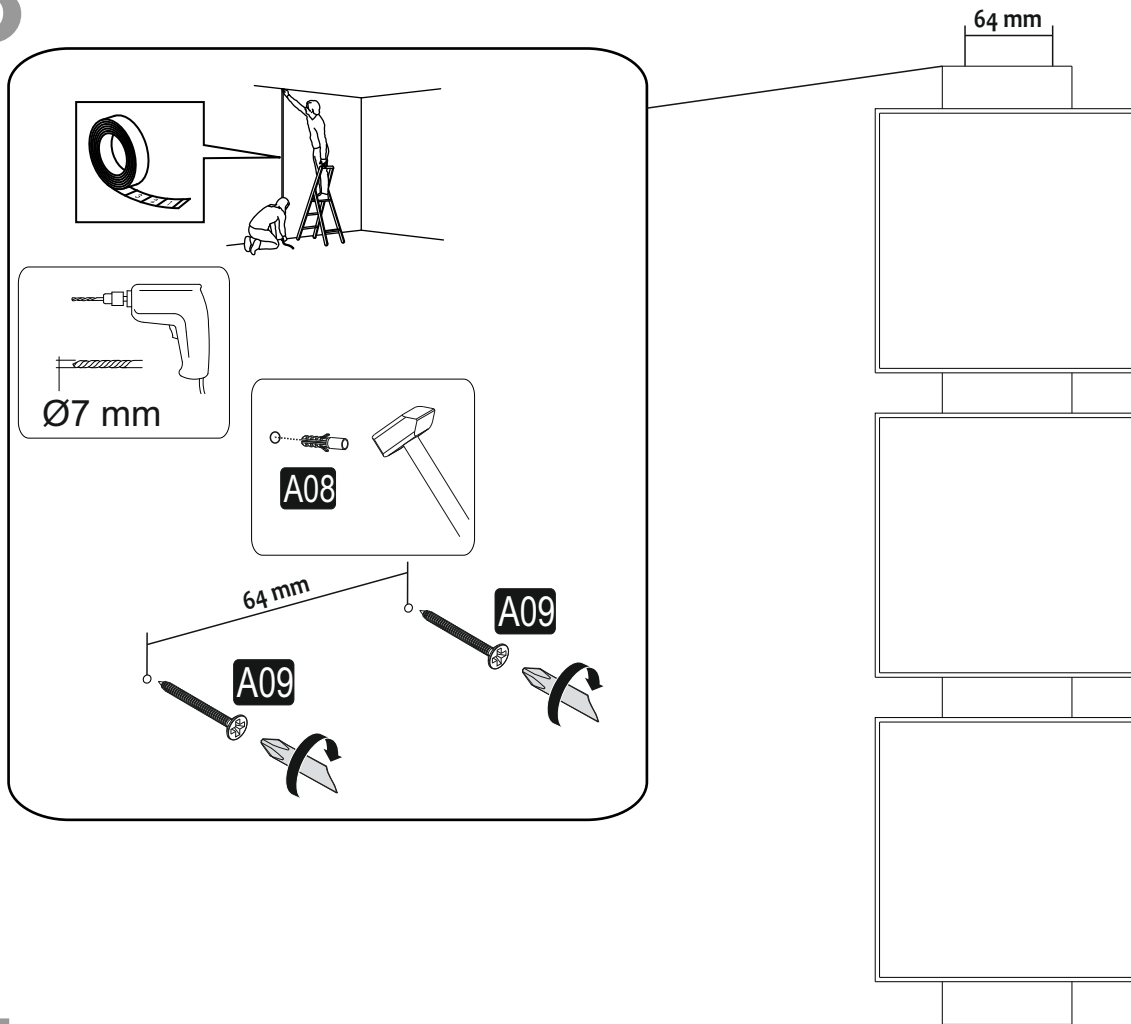
11



12



13



14

